

URW-547 (4.0t x 2.5m)

MINI SPIDER CRANE

- Total width 1.4m
- Max working radius 17.83m
- Diesel powered and optional mains electric
- Zero length increase with electric option
- Operator control of outrigger extension
- Intelligent voice warning system
- Radio remote control as standard
- Working area limitation
- Slew limitation (optional)
- Intelligent throttle activation for economy and ecology



Safe load indicator

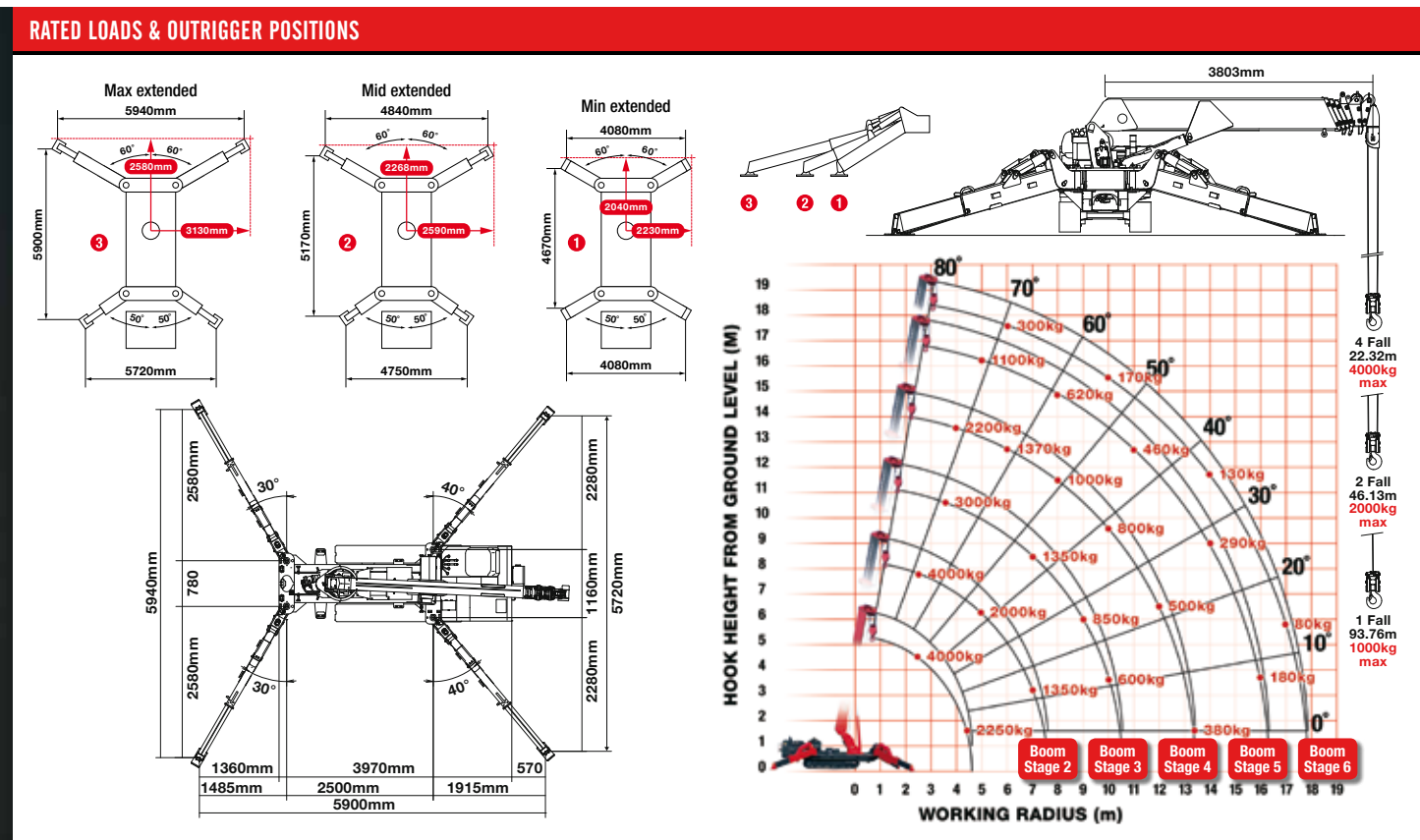


The new URW-547 offers extended reach, providing a maximum lifting height of 18.2 metres and a maximum lifting capacity of 4 tonnes as standard on the main boom. The outrigger footprint remains the same as the URW-506, maintaining its compact dimensions. An option of additional length is given with a quickly installed searcher hook, with angles varying for 0° to 60° and a maximum capacity of 500kgs.



Standard radio remote control Optional radio remote control with digital feedback

CRANE SPECIFICATIONS		
Crane capacity	capacity:	4.0t x 2.5m
Max working radius	max:	17.83m
Max lifting height	approx:	18.2m
Rope length	max:	22.32m (4 fall), 46.13m (2 fall), 93.76m (1 fall)
Dimensions	folded:	4955mm (l) x 1400mm (w) x 1980mm (h)
Weight	unladen:	5010kg (5160kg with electric option)
Point loadings	Due to the many variables involved, point loadings are only available on request	
Hook speed	approx:	14m/min (with 5 layers and 4 falls)
Telescopic system	boom length:	3.99 - 18.02m
	telescoping speed:	14.03m/35 seconds
	boom type:	7 section hydraulically telescoping boom, hexagonal box construction
Derricking angle/speed	approx:	0 - 80°/18.0 seconds
Stewing angle/speed	approx:	360° (continuous) 2.5min rpm
Traction system	drive:	hydrostatic 2-speed, stepless forward and reverse
	travel speed:	0 - 3km/h
	gradability:	23°
	track ground length:	1750mm
	track ground pressure:	47kPa (0.48kg/cm²)
	track width:	300mm
Engine	manufacturer:	Mitsubishi / Yanmar
	fuel:	diesel (electric dual power option)
	maximum output:	17.5kW (23.8PS) / 2100min rpm
	starting method:	electric
	tank capacity:	40 litres
Electric motor	power:	7.5kW
	voltage:	400v AC 50/60Hz
Standard equipment	computer controlled moment limiter (safe load indicator), radio remote control, overwinding alarm, computer controlled intelligent voice warning system, multi-function operation by radio remote control, intelligent throttle activation, automatic hook stow, overload warning alarms, overload warning lamps, working area limitation	
Optional equipment	1 fall hook block, 2 fall hook block, mains electric dual power (400v), low marking tracks, slew limitation, searcher hook small 500kg, radio remote control with feedback display, data logging	



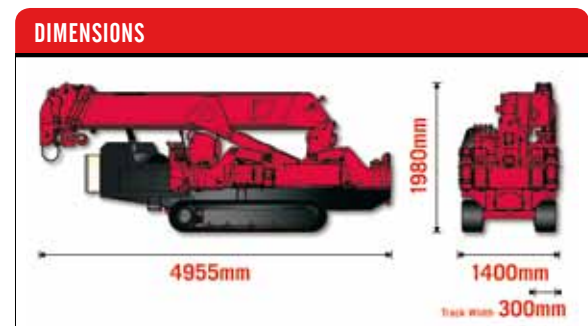
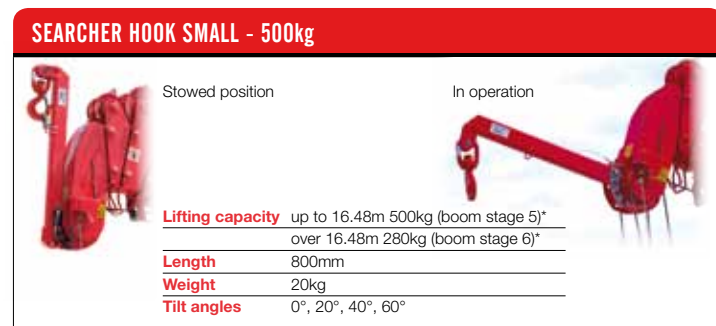
SECOND STAGE EXTENDED 3.99 - 7.7M BOOM LENGTH													
Working radius	m	up to 2.5	2.7	3.0	3.5	4.0	4.5	5.0	5.5	6.0	7.0	7.25	7.51
Outrigger	Max-extended	kg	4,000	3,850	3,500	3,000	2,550	2,250	2,000	1,800	1,630	1,350	1,300
	Mid-extended	kg	4,000	3,850	3,500	3,000	2,550	2,200	1,850	1,630	1,400	1,010	850
	Min-extended	kg	4,000	3,850	3,500	3,000	2,550	2,100	1,640	1,320	1,080	750	620

THIRD STAGE EXTENDED 7.7 - 10.66M BOOM LENGTH													
Working radius	m	up to 3.5	4.0	5.0	6.0	7.0	8.0	9.0	10.0	10.20	10.47		
Outrigger	Max-extended	kg	3,000	2,550	2,000	1,650	1,350	1,100	850	600	600	520	
	Mid-extended	kg	3,000	2,550	1,850	1,400	1,100	830	630	490	490	430	
	Min-extended	kg	3,000	2,550	1,650	1,150	840	620	460	350	350	300	

FOURTH STAGE EXTENDED 10.66 - 13.57M BOOM LENGTH														
Working radius	m	up to 4.0	4.5	5.0	6.0	7.0	8.0	9.0	10.0	11.0	12.0	13.0	13.38	
Outrigger	Max-extended	kg	2,200	1,900	1,700	1,370	1,150	1,000	900	800	660	500	410	380
	Mid-extended	kg	2,200	1,800	1,600	1,300	1,050	850	700	550	450	360	290	260
	Min-extended	kg	2,200	1,800	1,600	1,150	800	650	520	400	320	250	190	170

FIFTH STAGE EXTENDED 13.57 - 16.48M BOOM LENGTH																
Working radius	m	up to 5.0	5.5	6.0	7.0	8.0	9.0	10.0	11.0	12.0	13.0	14.0	15.0	16.0	16.29	
Outrigger	Max-extended	kg	1,100	950	880	730	620	570	520	460	410	350	290	230	180	170
	Mid-extended	kg	1,100	950	880	700	600	520	450	400	350	300	250	190	150	140
	Min-extended	kg	1,100	950	850	700	500	420	390	340	290	230	180	140	100	100

SIXTH STAGE EXTENDED 16.48 - 18.02M BOOM LENGTH															
Working radius	m	up to 6.0	7.0	8.0	9.0	10.0	11.0	12.0	13.0	14.0	15.0	16.0	17.0	17.83	
Outrigger	Max-extended	kg	300	250	230	200	170	160	150	140	130	120	110	80	50
	Mid-extended	kg	300	250	230	200	170	160	150	140	130	120	110	80	50
	Min-extended	kg	300	250	230	200	170	160	150	140	130	120	110	80	50



* Please note: The URW-547 lifting capacity information is based on boom stages, not boom sections.